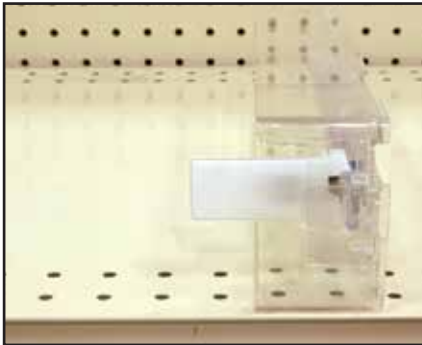


1 Adjust tray for product. Open tray to maximum width.



2 Lay unit on its side.



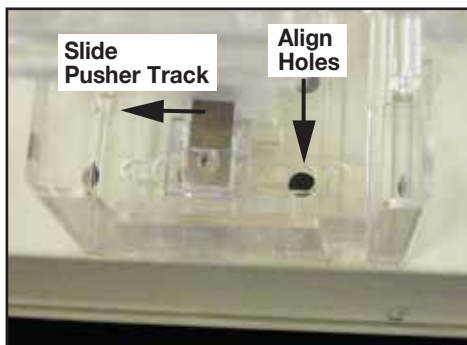
3 Insert one facing in the center of the tray.



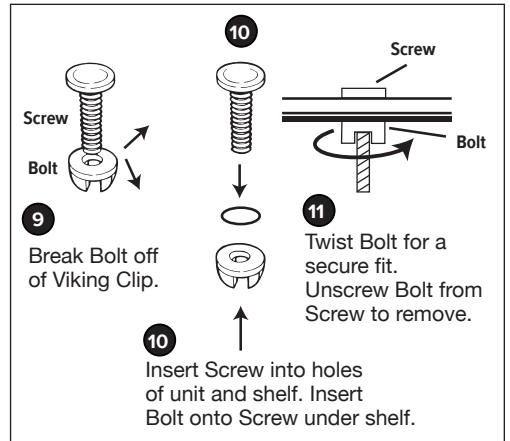
4 Tap side of tray down to fit the facing.



7 Return unit to an upright position. Check to see that the product can slide front to back with ease. Adjust sides of tray for product to slide with ease.



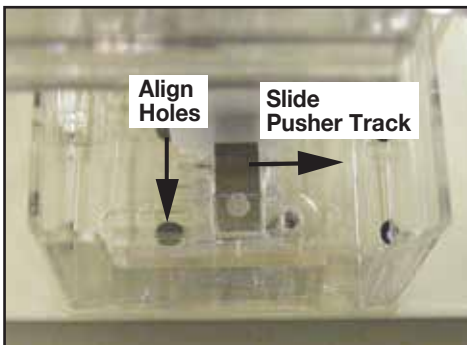
8 Slide pusher track left-to-right to access holes in tray. Align holes in front bottom tray with the holes in the shelf.



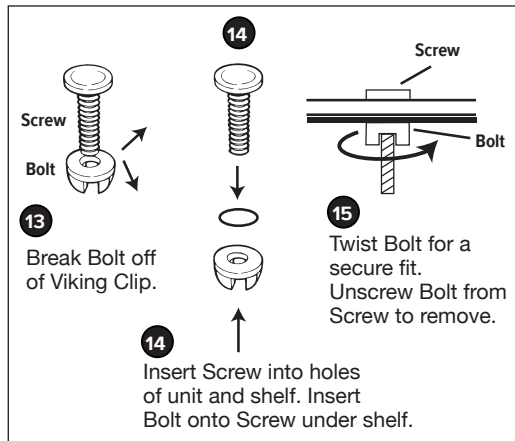
9 Break Bolt off of Viking Clip.

11 Twist Bolt for a secure fit. Unscrew Bolt from Screw to remove.

10 Insert Screw into holes of unit and shelf. Insert Bolt onto Screw under shelf.



12 Slide pusher track left-to-right to access holes in tray. Align holes in front bottom tray with the holes in the shelf.



13 Break Bolt off of Viking Clip.

15 Twist Bolt for a secure fit. Unscrew Bolt from Screw to remove.

14 Insert Screw into holes of unit and shelf. Insert Bolt onto Screw under shelf.



16 Insert price tag into tray c-channel. Installation is complete.